

Direction (1-2): Study the following information carefully and answer the questions given below.

T is the grandfather of I. L is the sister of K, who is the wife of O. V has only one son and two daughters. P is the niece of both J and K, who is the mother of M. M is the son of O, who is the brother-in-law of J. Both P and M are not siblings. J has only one child.

1) If G is the father of P, then how I is related to G?

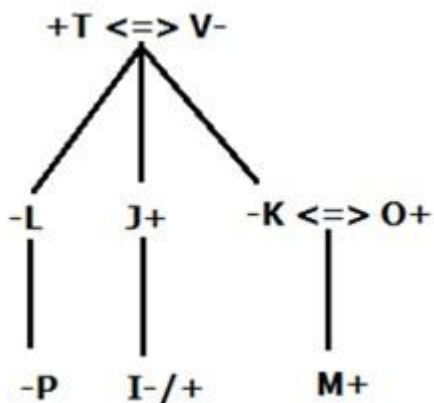
- A. Son
- B. Daughter
- C. Nephew
- D. Niece
- E. None of these

Answer: E

2) How is O related to L?

- A. Sister
- B. Brother
- C. Brother in-law
- D. Sister in-law
- E. None of these

Explanation



Answer: C

Direction (3-5): Study the following information carefully and answer the questions given below.

Eight persons - A, B, C, D, E, F, G, and H are from the same family. A is the niece of B. C is the only brother of B. C is married to H. E is the grandfather of A. E has only one child. B is married to G. B is the daughter of D, who is a male. D has only two children. F is the paternal grandmother of A.

3) How is A related to C?

- A. Sister
- B. Mother
- C. Mother-in-law
- D. Daughter
- E. None of these

Answer: D

A is the daughter of C.

4) How is E related to C?

- A. Father
- B. Father-in-law
- C. Brother
- D. Son
- E. Grandfather

Answer: B

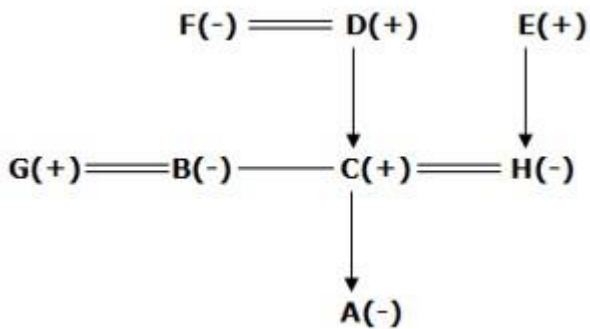
E is the father-in-law of C.

5) How many male members are there in the family?

- A. 1
- B. 2
- C. 4
- D. 3

E. None of these

Explanation



Answer: C

Four male members are in the family.

Direction (6-8): Study the following information carefully and answer the questions given below.

In an eight-member family, P is the grandmother of S and mother-in-law of L. J is the mother-in-law of D, who is the father of S. O is the son of I, who is the brother of K. S is the grandson of K who is married to J.

6) How is O related to K?

- A. Son
- B. Daughter
- C. Nephew
- D. Niece
- E. None of these

Answer: C

7) If M is the mother of O, then how L is related to M?

- A. Son
- B. Daughter
- C. Nephew
- D. Niece

E.Can't be determined

Answer: E

8) How is S related to I?

A.Sister

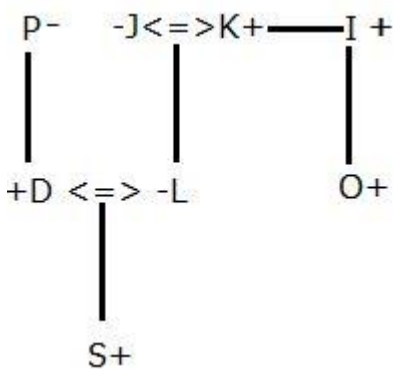
B.Brother

C.Brother in-law

D.Sister in-law

E.Can't be determined

Explanation



Answer: E

Direction (9-10): Study the following information carefully and answer the questions given below.

E is the father of J. D is the sister-in-law of M. W is the father-in-law of S, who does not have any siblings. Y has only one daughter, who is not D. D is the mother of J. S is the uncle of J, who is a male. D does not have any siblings. Y is the mother of M.

9) How is J related to M?

A.Nephew

B.Son

C.Daughter

D.Wife

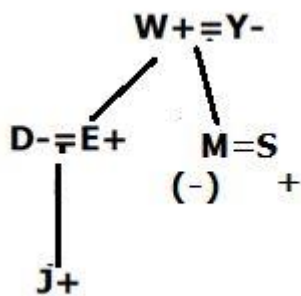
E.Husband

Answer: A

10) How is D related to W?

- A. Daughter
- B. Daughter-in-law
- C. Son
- D. Wife
- E. Brother

Explanation



Answer: B

Direction (11-13): Study the following information carefully and answer the questions given below.

In a nine-member family, P is the daughter of F, who is the sister of E. J is the brother-in-law of E. L is the grandson of O, who is the grandfather of R. F has only one son. Z is the nephew of E. J is not the father of L. C, who doesn't have any siblings and is the sister-in-law of F, who has more than two children. E has only one sibling.

11) How is E related to R?

- A. Father
- B. Mother
- C. Aunt
- D. Uncle
- E. None of these

Answer: D

12) How is K related to E, if K is the brother of C?

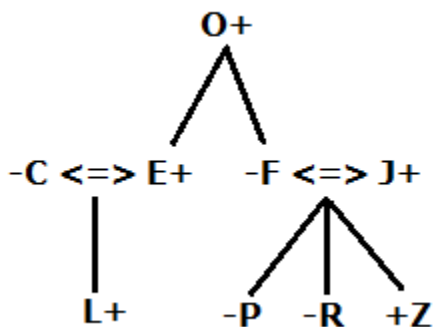
- A. Grand Son
- B. Grand Daughter
- C. Brother-in-law
- D. Sister-in-law
- E. None of these

Answer: C

13) How is R related to Z?

- A. Sister
- B. Brother
- C. Son
- D. Daughter
- E. Cannot be determined

Explanation



Answer: A

Direction (14-15): Study the following information carefully and answer the questions given below.

P, Q, R, S, T, U, and V are from the same family related to each other. P is the grandfather of V. Q is the only daughter of S, who is the wife of P. T is the only

brother of S. U is the brother-in-law of R, who is unmarried. Q is married to U. V is a male and unmarried member.

14) If D is married R, then how is D related to P?

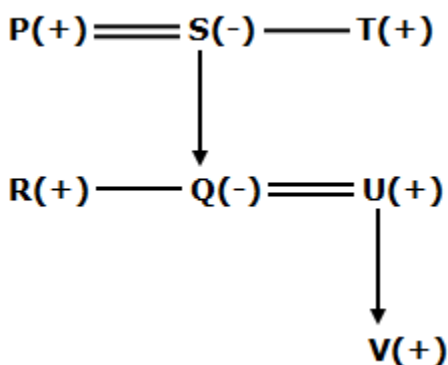
- A. Sister-in-law
- B. Daughter-in-law
- C. Brother-in-law
- D. Son-in-law
- E. None of these

Answer: B

15) How is P related to T?

- A. Brother
- B. Father
- C. Father-in-law
- D. Brother-in-law
- E. None of these

Explanation



Answer: D

Direction (16-17): Study the following information carefully and answer the below questions.

P, Q, R, S, T, U, and V are family members related to each other. P is the grandfather of V. Q is the daughter of S, who is the wife of P. T is the only brother of S. R is the brother-in-law of U, who does not have siblings. Q is married to U. V is the male and unmarried.

16) How is V related to R?

- A. Brother
- B. Nephew
- C. Son
- D. Niece
- E. Father

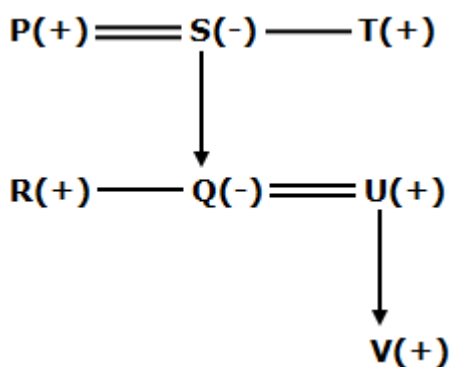
Answer: B

V is the nephew of R.

17) How many female members are in the family?

- A. 4
- B. 1
- C. 2
- D. None
- E. 3

Explanation



Answer: C

2 female members are in the family.

18) In each of the following questions, a few statements numbered I and II have been given. Analyse the given statements and answer whether the data given in the statements are sufficient to answer the question or not.

Seven members - M, N, O, P, Q, R and S are from the same family. Either both or none of the parents are alive. How is O related to S?

I. Q is married to M and is the mother-in-law of R. N is the only brother of S. O is the uncle of P.

II. S is the daughter of Q, who is the mother of N. P is the sister of N. M is a married male. O is the sibling of Q.

A. The data in statement I alone is sufficient to answer the question

B. The data in statement II alone is sufficient to answer the question

C. The data either in statement I alone or statement II alone is sufficient to answer the question

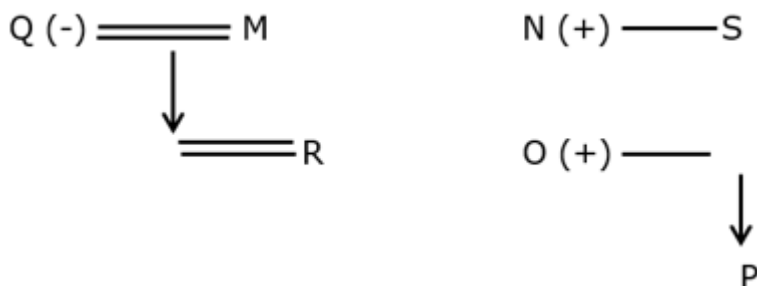
D. The data in both statements I and II together are necessary to answer the question

E. The data in both statements I and II together are not sufficient to answer the question

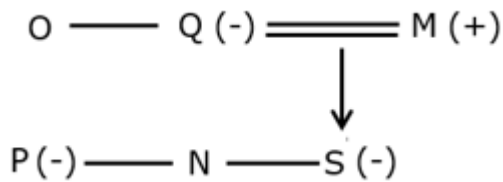
Explanation

Answer: D

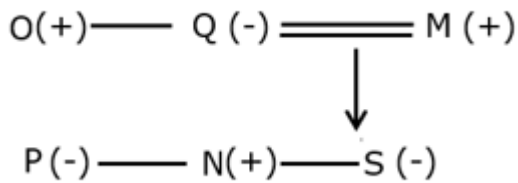
Statement I:



Statement II:



Both statements I and II:



O is uncle of S.

Direction (19-21): Answer the question based on the information given below.

Ten members viz. N, O, P, R, S, T, U, V, W, and Y are from the same family with three generations. O is the daughter of R, who is the father-in-law of S. V is the brother-in-law of U, who is the husband of S. P is the brother of O. W is the grandson of Y, but neither the son of P nor U. N is the mother of T, who is a female. All the children of Y are married. Y is married to R.

19) How is T related to O?

- A. Niece
- B. Nephew
- C. Son
- D. Daughter
- E. Cannot be determined

Answer: A

20) Who among the following person is the spouse of P?

- A. V
- B. N
- C. T

D.Y

E.None of these

Answer: B

21) How is D related to G?

A.Sister

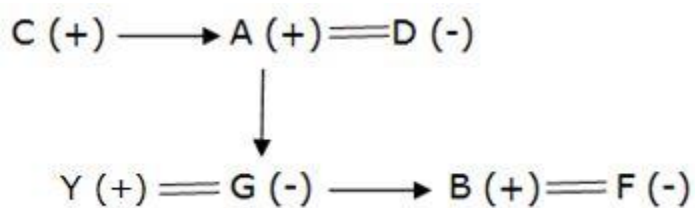
B.Niece

C.Mother

D.Daughter

E.None of these

Explanation



Answer: C

Direction (22-23): Read the following information carefully and answer the questions given below.

Six people A, B, C, D, F and G are from the same family. There are two generations and two married couples in the family. A is the father of G. C is the brother-in-law of D. D is the mother-in-law of F. A has two children. G is the sister-in-law of F. A is married to D. Both F and D has no siblings. B is the nephew of C.

22) How is C related to B?

A.Uncle

B.Father

C.Niece

D.Nephew

E. Cannot be determined

Answer: A

23) If Y is the spouse of G, then how is Y related to B?

A. Brother

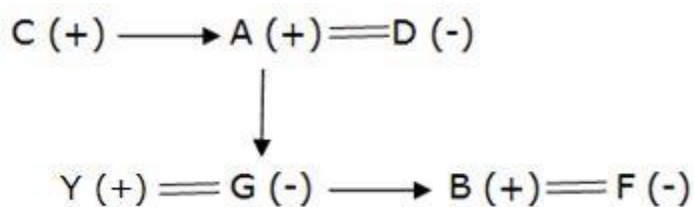
B. Brother-in-law

C. Sister-in-law

D. Father-in-law

E. Cannot be determined

Explanation



Answer: B

Direction (24-26): Study the following information carefully and answer the questions given below.

Eight persons are there in a family of three generations having three married couples. A is the sister-in-law of G. D is the sibling of G who is married to B. E has only one child who is B. Gender of G and C is the same. G is the mother of K who is the sister of M. No single parents are there in the family.

24) How is E related to G?

A. Father

B. Brother

C. Husband

D. Father-in-law

E. Mother-in-law

Answer: D

25) If G has only one daughter then how is M related to K?

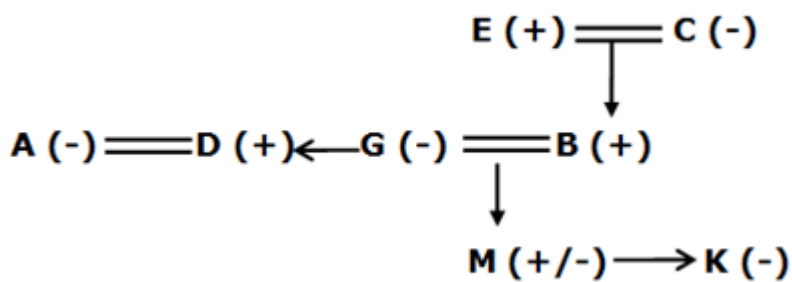
- A. Father
- B. Brother
- C. Sister
- D. Can't be determined
- E. None of these

Answer: B

26) How is B related to C?

- A. Daughter
- B. Husband
- C. Son
- D. Brother
- E. Sister

Explanation



Answer: C

Direction (27-28): Study the following information carefully and answer the questions given below.

In a family of seven members F is the sister-in-law of A who has no siblings. B is the only child of C who is the only sibling of F. D is the mother of E. G is the only son of B. G is the sibling of E.

27) If C is the mother of B then, how A is related to E?

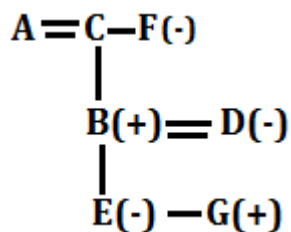
- A. Grandfather
- B. Mother
- C. Father
- D. Grandmother
- E. Uncle

Answer: A

28) How D is related to C?

- A. Grandfather
- B. Daughter-in-law
- C. Father
- D. Grandmother
- E. None of these

Explanation



Answer: B

Direction (29-31): Study the following information carefully and answer the questions given below.

Eight members are from the same family of three generations having two married couples. Z is the son of I. F is the father-in-law of I. F has only one child. P is the granddaughter of B. M is the father of P. Z and P are siblings. J is the uncle of P. F doesn't have siblings. M is the nephew of S.

29) How is S related to F?

- A. Sister-in-law

- B.Sister
- C.Brother-in-law
- D.Daughter in law
- E.Either a or c

Answer: E

30) How is J related to P?

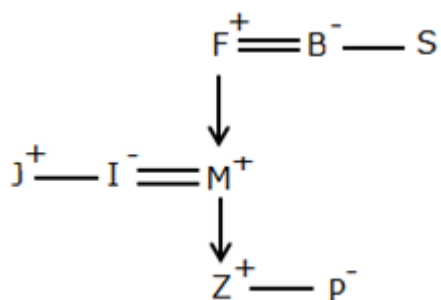
- A.Maternal uncle
- B.Paternal uncle
- C.Maternal aunt
- D.Nephew
- E.Niece

Answer: A

31) If X is the husband of S, then how is B related to X?

- A.Brother-in-law
- B.Cousin Brother
- C.Maternal uncle
- D.Sister-in-law
- E.Cannot be determined

Explanation



Answer: D

Direction (32-33): Study the following information carefully and answer the questions given below.

Six members are from the same family of three generations having two married couples. A is the father-in-law of I. N is the only daughter of A. C is the grandparent of H, who is not a female. K is the parent of H, who is not the child of N.

32) Who among the following person is the Aunt of I's child?

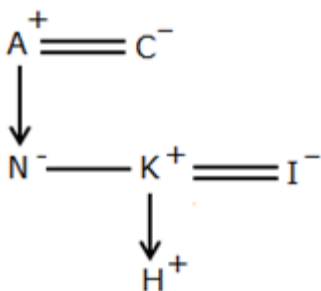
- A. The one who is the mother of C
- B. A
- C. The one who is the sister-in-law of I
- D. C
- E. Cannot be determined

Answer: C

33) How is C related to I?

- A. Sister-in-law
- B. Sister
- C. Brother-in-law
- D. Daughter in law
- E. Mother-in-law

Explanation



Answer: E

Direction (34-36): Study the following information carefully and answer the questions given below.

A family with three generations consists of eight members and three married couples. Q is the sister-in-law of S, who is the only daughter of P. J is the brother-in-law of Q, who is the mother of R. Neither L nor Q has siblings. L is the daughter-in-law of V, who is the mother of I. J has a brother. L is not the spouse of I. Both J and R are of the same gender. No single parent has a child. P has only three children.

34) How is J related to R?

- A.Mother
- B.Father
- C.Aunty
- D.Can't be determined
- E.Uncle

Answer: E

35) Which of the following statement is true?

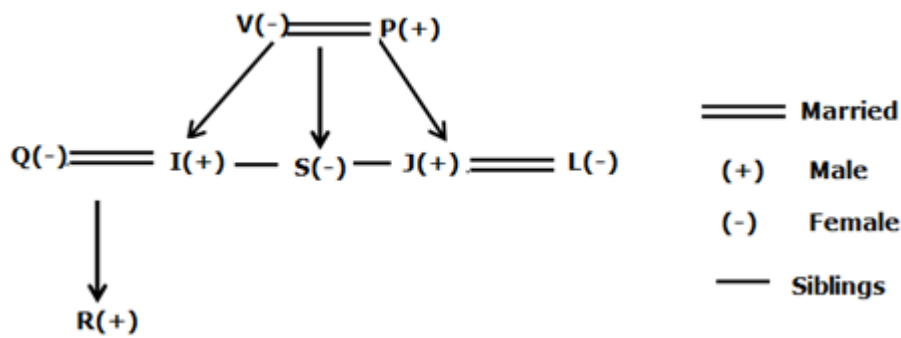
- A.J is the husband of L
- B.I is the mother of S's nephew
- C.S is the brother of I
- D.P is the mother of Q
- E.All are true

Answer: A

36) If A is the son of L, then how is S related to A?

- A.Father in law
- B.Aunt
- C.Brother
- D.Sister
- E.Uncle

Explanation



Answer: B

Direction (37-38): Study the following information carefully and answer the questions given below.

K is the sister-in-law of Z and vice versa. O is the aunt of G. H is the only daughter of Y. T is the mother-in-law of Y. S is the spouse of V, who is the mother of K. Both K and O are unmarried persons. Y is the only son of V. Z is the mother of G who is the nephew of K. Z has no siblings.

37) How is Z related to S?

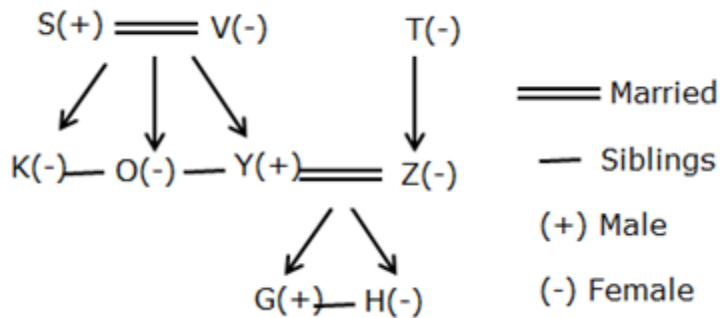
- A. Daughter
- B. Son-in-law
- C. Daughter-in-law
- D. Mother-in-law
- E. Can't be determined

Answer: C

38) How many female members are there in the family?

- A. 6
- B. 3
- C. 4
- D. 5
- E. Can't be determined

Explanation



Answer: A

Direction (39-40): Study the following information carefully and answer the questions given below.

K is the sister-in-law of Z, vice versa. O is the aunt of G. H is the only daughter of Y. T is the mother-in-law of Y. S is the spouse of V who is the mother of K. Both K and O are unmarried. Y is the only son of V. Z is the mother of G, who is the nephew of K. Z has no siblings. Only nine members are there in the family.

39) How is Z related to S?

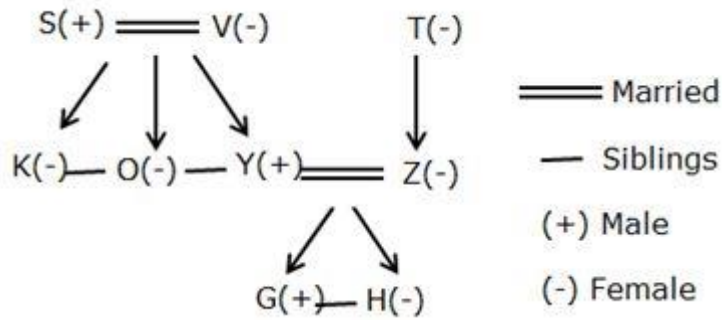
- A. Daughter
- B. Son-in-law
- C. Daughter-in-law
- D. Mother-in-law
- E. Can't be determined

Answer: C

40) How many female members are there in the family?

- A. 6
- B. 3
- C. 4
- D. 5
- E. Can't be determined

Explanation



Answer: A

Direction (41-43): Study the following information carefully and answer the questions given below.

D is the mother of E. E's husband is the brother-in-law of C, who is unmarried. A is the only son-in-law of B. H is the brother of A, who is married to C's mother. F is a married male, who belongs to the first generation. G is one of the members of the family. Not more than eight members are there in the family.

41) If C is the niece of H, then how many females are there in the family?

- A. Three
- B. Five
- C. Four
- D. Two
- E. Six

Answer: C

42) Who among the following person is the sister-in-law of H?

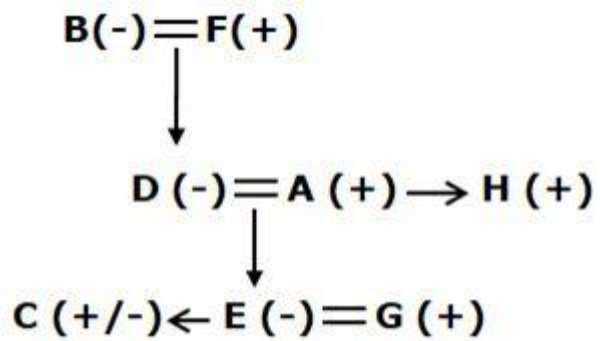
- A. E
- B. B
- C. D
- D. C
- E. Can't be determined

Answer: C

43) Which of the following statement(s) is/are true with respect to the final arrangement?

- A.** C is the sister of E
- B.** B is the grandmother of C
- C.** E is the wife of A
- D.** Both E and G are siblings
- E.** All the statements are true

Explanation



Answer: B